



# A-89 Pressure Reducing Boiler Feed Valves

## DESCRIPTION

---

The Cash Acme A-89 Series is a highly competitive Boiler Feed Valve that automatically and accurately reduces system pressure to 14 psi.

These innovatively designed A-89 Valves feature a balanced piston construction for closer outlet control regardless of fluctuations in inlet pressure. A rapid fill feature incorporates a larger seat for higher capacity, and an improved back-check device ensures greater water system protection.

The Cash Acme A-89 has threaded ends; the A-89C features a sweat copper union inlet. Both valves feature bronze bodies and inbuilt strainer screens. Standard reducing pressure setting is 14 psi with an adjustment range from 10 to 30 psi. Maximum inlet pressure is 200 psi. The Cash Acme A-89 is available in a 1/2" size only.



## FEATURES AND BENEFITS

---

Contains a polymer seat:  
*Prevents scaling*

Economical and easy to install:  
*Saves money and time!*

Every valve is tested for performance prior to shipping:  
*Specify and install with confidence!*

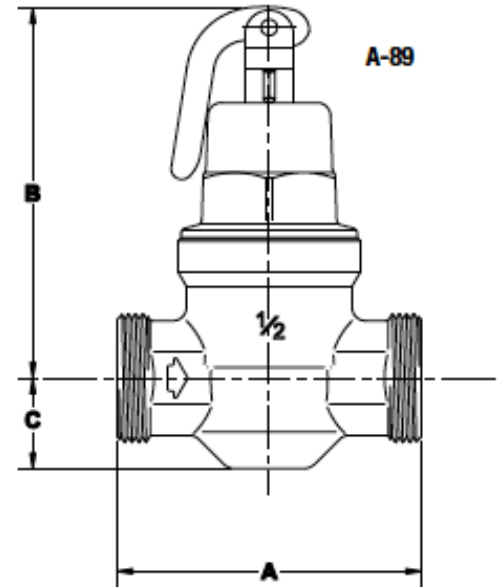
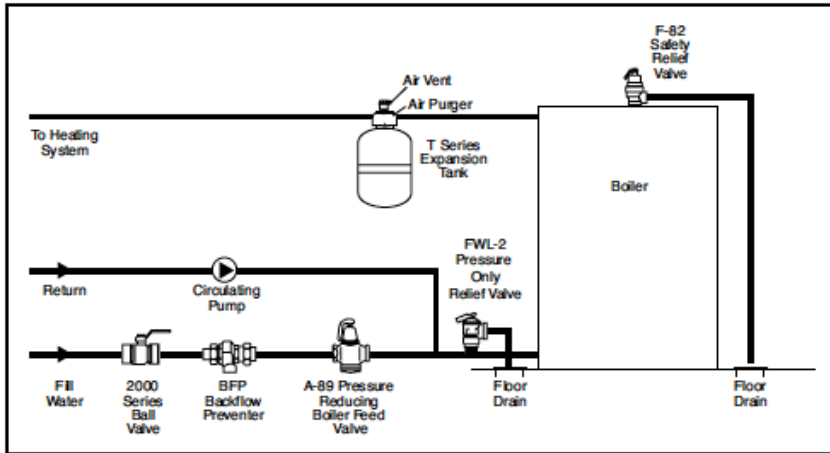
Modular Cartridge Design reduces the number of parts requiring service:  
*Quick and Easy Service/Repair.*

Every valve is tested for performance prior to shipping:  
*Specify and install with confidence.*

Assembled and tested in the USA:  
*Prepared in our manufacturing plant in Cullman, Alabama.*

# A-89 Pressure Reducing Boiler Feed Valves

## TYPICAL INSTALLATION



## SPECIFICATION DATA

**Performance:**

Outlet pressure range.....10-30 psi (Factory set 14 psi)  
 Maximum inlet pressure.....200 psi  
 Service.....Water

**Materials:**

Body.....Bronze  
 Strainer.....Stainless steel  
 Seat.....Polysulphone  
 Seat Disc.....EP  
 Diaphragm.....Reinforced EPDM  
 Spring Chamber.....Iron  
 Piston.....Brass  
 O-Ring.....EP  
 Bottom Plug (A-43CRF).....Brass

Dimensions	A	B	C
A-89 NPT	3.23"	4.13"	0.74"
A-89 Union	1.61"	4.13"	0.74"
A-89 Double Union	2.38"	4.13"	0.74"
A-89 Single Union Sweat	1.61"	4.13"	0.74"

## AVAILABLE CONNECTIONS

Threaded (NPT)..... 1/2"  
 Threaded (NPT) Union..... 1/2"  
 Sweat Copper Union..... 1/2"  
 Threaded (NPT) Double Union..... 1/2"