



TANK BOOSTER™ PRO

DESCRIPTION

Cash Acme **Tank Booster** is a Temperature Actuated Mixing Valve that mixes hot water with cold to deliver tempered water at a controlled temperature to 120°F (49°C).

The **Tank Booster** is intended for installation at the water heater to distribute controlled temperature water through hot water systems in residential and commercial applications. The valve delivers water at 120°F (49°C), allowing the heater to be set at 140°F (60°C) or higher, thus providing a greater effective volume of hot water and reducing the chances of Legionella bacterial growth in the water.

The **Tank Booster** is a high quality mixing valve incorporating the latest in thermostatic technology. It features a robust design based on the expertise gained from years of experience in the design and manufacture of safety valves. Every valve is tested for performance on an automated testing station during the assembly process. The valve is third party listed for distribution applications.

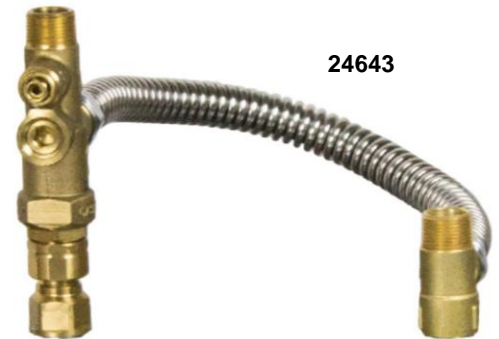
The **Tank Booster** incorporates a fast acting, high quality thermostatic element that senses the outlet water temperature and reacts to maintain a stable delivery temperature even under changing flows or variations in supply temperatures. The valve also greatly reduces the outlet flow in the event of a cold water supply failure.

The **Tank Booster** is factory set at 120°F (49°C), but can easily be adjusted.

The **Tank Booster** is designed for easy and quick installation and is shipped complete with the valve, flexible connector and water heater tee. Can be used with SharkBite flexible water heater connectors for easy installation while using Copper, PEX, or CPVC tubing. Does not require any transition fittings.



24644



24643

FEATURES AND BENEFITS

Precise temperature control:

Safer hot water from all outlets.

Allows the water heater to be set at 140°F (60°C) or higher:

Greater effective hot water volume and less chance of Legionella within the cylinder

Every valve is tested for performance prior to shipping:

Specify and install with confidence!

More hot water from the same water heater:

Higher storage temperature means a greater effective hot water volume delivered at a safe 120°F (49°C).

Robust, low complexity construction:

Superior reliability, improved user safety.

Adjustable and lockable mechanism:

Minimizes unauthorized tampering with valve setting. Factory set at 120°F (49°C)

Listed by IAPMO and ASSE:

Inspector friendly, peace of mind.

Integral recirculation port

Allows quick and neat installations in systems with recirculation.



**Now Available
with
Temperature
Gauge!**



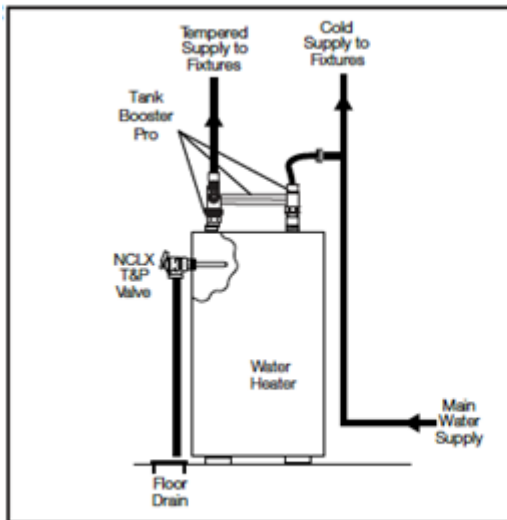
TANK BOOSTERTM PRO

SPECIFICATION

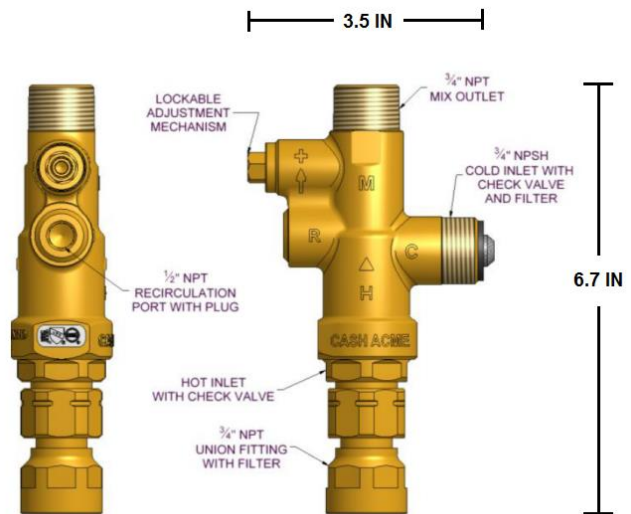
A Temperature Actuated Mixing Valve shall be installed at the water heater to distribute tempered water throughout the domestic hot water system at a temperature of 120°F (49°C). The valve shall be certified to ASSE 1017, ASSE 1070, CSA B 125.3, NSF/ANSI 372, NSF/ANSI 61 and shall be listed by a third party. The Temperature Actuated Mixing Valve shall control the delivered water temperature via a regulating piston made from engineered polymer. The adjusting mechanism shall be lockable. The valve shall be a Cash Acme Tank Booster Pro.

TYPICAL INSTALLATION

Residential and commercial hot water distribution applications. To control water temperature at the source of heat (water heater) to provide a safe distribution temperature.



(Please consult with local plumbing codes concerning specific water heater piping requirements.)



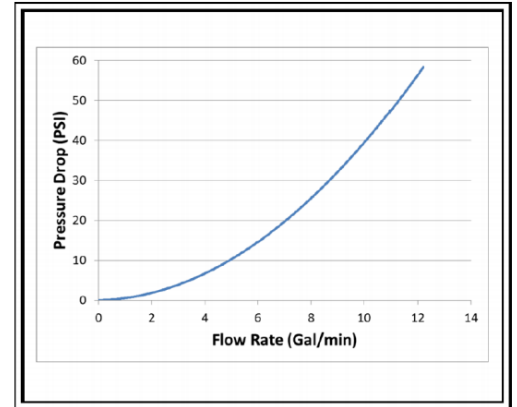


HEATGUARD[®] TANK BOOSTER[™] PRO

SPECIFICATION DATA

Performance:

Operating temperature range90 - 130°F (32 - 55°C)
 Factory set temperature range115 - 120°F (46 - 48.9°C)
 Hot temperature supply range120 - 180°F (48.9 - 82.2°C)
 Cold temperature supply range39 - 80°F (5 - 27°C)
 Maximum supply pressure.....150 psi (1030 kPa)
 Flow rate, minimum1 gpm (4 L/min)
 Flow rate, maximumSee flow curve



Materials:

Body.....DZR Brass
 Seals.....EPDM
 Springs.....Stainless Steel
 Internal Cap.....Brass
 Piston.....Engineered Polymer

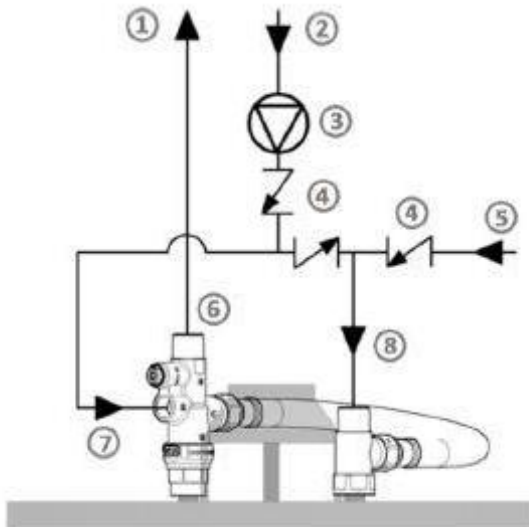
AVAILABLE CONNECTIONS

3/4" MNPT mix outlet x 3/4" FNPT union fitting x 3/4" NPSH cold inlet

CERTIFICATIONS

The Cash Acme **Tank Booster** is certified to ASSE 1017, ASSE 1070, CSA B125.3, NSF/ANSI 61, and NSF/ANSI 372 and listed by IAPMO and ASSE for use in accordance with the U.S. and Canadian plumbing codes.

Recirculation Diagram



Description:

- 1) Tempered water supply to system
- 2) Tempered water return from system
- 3) Circulating pump
- 4) Non return valve
- 5) Cold water supply
- 6) Mix outlet
- 7) Mixing valve recirculation port
- 8) Cold inlet

