

A-41 and AB-40 Pressure Reducing Boiler Feed Valves

DESCRIPTION

The Cash Acme Boiler Feed Valves are feature-packed pressure reducing feeder valves for modern hot water space heating boilers.

The AB-40 Valves automatically keep the system filled with water at the desired reduced operating pressure: ordinarily 14 psi in one, two or three story homes.

The advanced design of the AB-40 offers a tri-purpose inbuilt by-pass for rapid filling of the boiler, high pressure system testing and simplified purging of the system. The "Combo-Connection" union inlet provides convenience to the installer by permitting either threaded or sweat copper connection with the same union tailpiece.

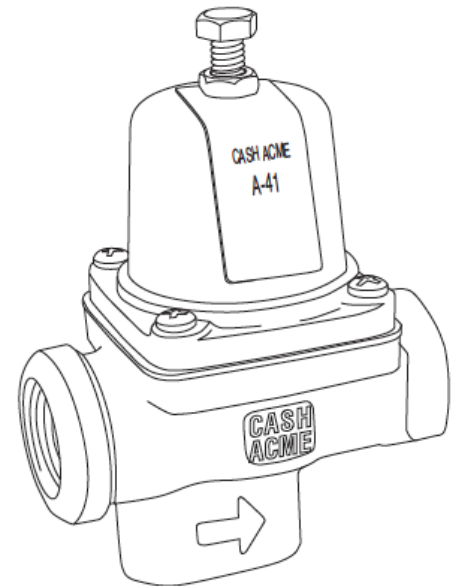
The Cash Acme AB-40 Pressure Reducing Boiler Feed Valve contains an inbuilt check valve in the supply inlet, which provides a positive means of preventing backflow of contaminated boiler water in the home water supply. This can occur if the supply pressure falls below the valve setting and constitutes a health hazard. Possible damage to the boiler, resulting from backflow drainage is also avoided.

The AB-40 Boiler Feed Valve features an all brass body, inbuilt strainer, special heat resistant diaphragm and seat disc. Check valve is built in. The AB-40 is available in 1/2" size only.

The Cash Acme 3/4" A-41 Boiler Feed Valve is a pressure reducing valve designed for larger boilers requiring increased capacity.

The Cash Acme A-41 Boiler Feed Valve automatically reduces incoming water pressure to 14 psi and maintains the pressure in the boiler.

The Cash Acme A-41 Boiler Feed Valve features an iron body, inbuilt strainer, special heat resistant diaphragm and seat disc. The A-41 is available in 3/4" female threaded connections only.



FEATURES AND BENEFITS

Economical and easy to install:
Saves money and time!

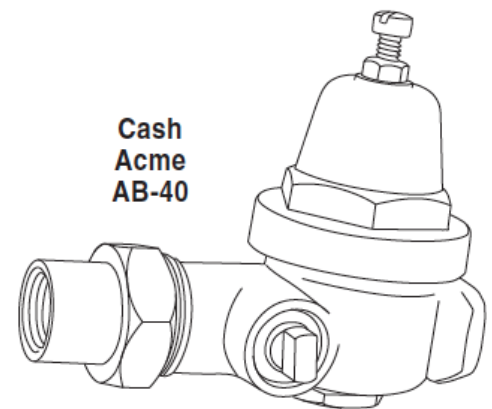
Every valve is tested for performance prior to shipping:
Specify and install with confidence!

Advanced design:
Tri-purpose inbuilt by-pass for rapid filling of the boiler.

"Combo-Connection" union inlet:
Provides convenience to the installer by permitting threaded or sweat copper connection with the same union tailpiece.

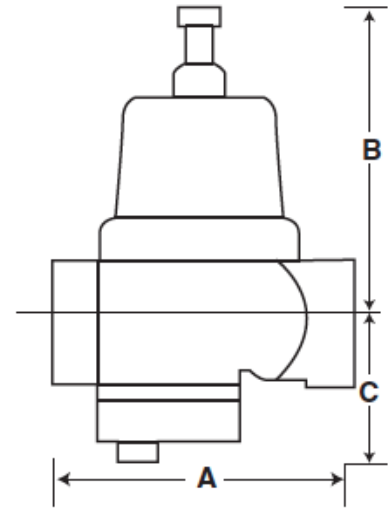
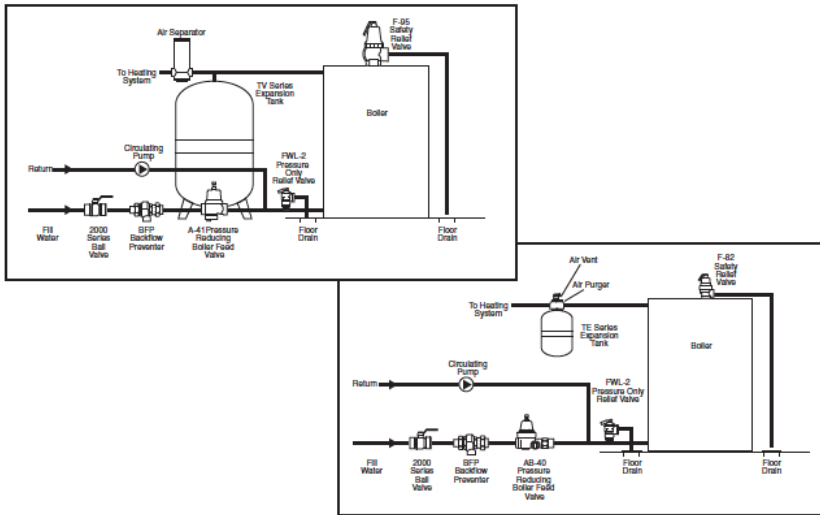
Every valve is tested for performance prior to shipping:
Specify and install with confidence.

Assembled and tested in the USA:
Prepared in our manufacturing plant in Cullman, Alabama.



A-41 and AB-40 Pressure Reducing Boiler Feed Valves

TYPICAL INSTALLATION



A-41

Dimensions	A	B	C
3/4" Threaded	3-13/16"	4-1/16"	1-17/32"

SPECIFICATION DATA

A-41 Performance:

Outlet Pressure Range.....0-20 psi (factory set 14 psi)
 Maximum inlet pressure.....200 psi
 Service.....Water

A-41 Materials:

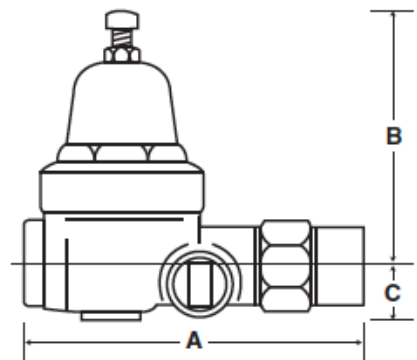
Body.....Iron
 Strainer.....Stainless steel
 Seat.....Brass and Stainless steel
 Seat Disc.....EP
 Diaphragm.....EP and Nylon

AB-40 Performance:

Outlet Pressure Range.....2-30 psi (factory set 14 psi)
 Maximum Inlet Pressure.....200 psi
 Service.....Cold water

AB-40 Materials:

Body.....Brass
 Strainer.....Brass
 Seat.....Brass
 Seat Disc.....Buna-N
 Diaphragm.....Buna-N



AB-40

Dimensions	A	B	C
1/2" Threaded	4-3/4"	3-5/8"	7/8"

AVAILABLE CONNECTIONS

Threaded (NPT) A-41.....3/4" Female threaded
 Threaded (NPT) AB-40.....1/2" Female