

# Air Vents

## DESCRIPTION

The Cash Acme Air Vents are for use in heating systems to vent air trapped within the circulating water.

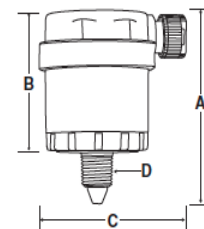
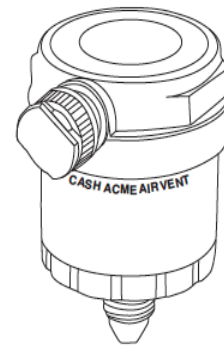
The Cash Acme Air Vents are available in 1/8" and 1/4" high capacity sizes

## FEATURES AND BENEFITS

High quality brass body with a nickel plated finish:  
*Durable construction for long lasting service.*

Economical and easy to install:  
*Saves money and time!*

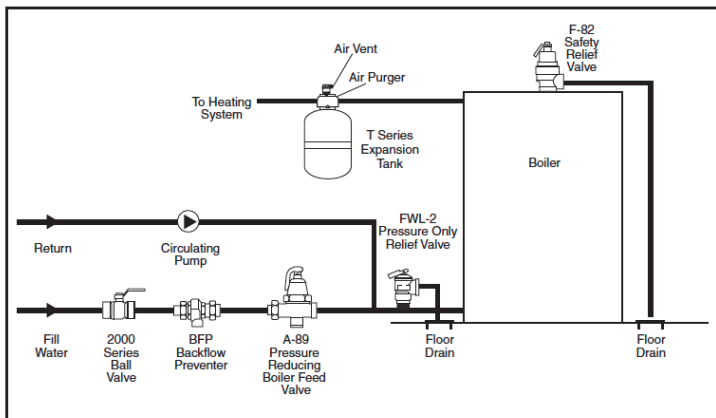
Wide range of sizes:  
*a variety of heating systems*



Working Pressure: 150 psi

Item	A	B	C	D
24090	1-15/16"	1-21/32"	1-7/8"	1/8" NPT
24091	1-15/16"	1-21/32"	1-7/8"	1/4" NPT

## TYPICAL INSTALLATION



## SPECIFICATION DATA

**Performance:**  
Working Pressure 90 – 150 psi (or refer to chart)  
Service Water

**Materials:**  
Body Brass

## CONNECTIONS

Threaded (NPT) 1/8" and 1/4"