

Multi-Cartridge EB-25 Pressure Regulator

DESCRIPTION

The Multi-Cartridge EB-25 from Cash Acme brings state-of-the-art water control technology to pressure regulators. The accurate flow control and pressure regulation of the Multi-Cartridge eliminates the need for costly two valve installations like the parallel PRV configuration. The Multi-Cartridge design has a convenient orange pressure adjustment twist-cap and numerical indicator that allows for quick adjustment of water pressure. The state-of-the-art single piece cartridge design makes servicing the valve fast and easy.

The Multi-Cartridge is a lead-free* product designed to service commercial and institutional (domestic) water installations that experience wide variation in water demand. Multi-Cartridge EB-25 is available in 2-½" and 4" sizes. The 2-½" valve is available with threaded and ASME B16.24 CL150 flanged inlet and outlet. The 4" valve is available with ASME B16.24 CL150 flanged inlet and outlet. The valves are factory set - Cartridge 1: 55 psi; Cartridge 2: 50 psi; and Cartridge 3: 45 psi.



FEATURES AND BENEFITS

Multi-Cartridge Design:

Eliminates the need to install multiple PRVs in parallel.

Convenient orange twist-cap eliminates need for wrench adjustment, numerical indicator shows the pressure without the need for a gauge:

Easy to adjust pressure set!

Single piece cartridges can be removed with valve body remaining in place:

Service all the parts quicker and easier!

By-pass mechanism integral with the cartridge:

No add-on or small parts, longer life and more reliable performance.

Cutting-edge design and production incorporates "micro-fingers" that dissipate noise due to water flow across the seat:

Quieter installation.

Every valve is tested for performance prior to shipping:

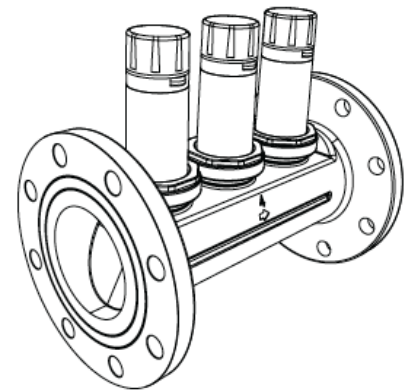
Specify and install with confidence.

Regulates pressure at various levels of water demand:

Accurate flow control.

Assembled and tested in the USA:

Prepared in our manufacturing plant in Cullman, Alabama.



US Patent 8,327,871

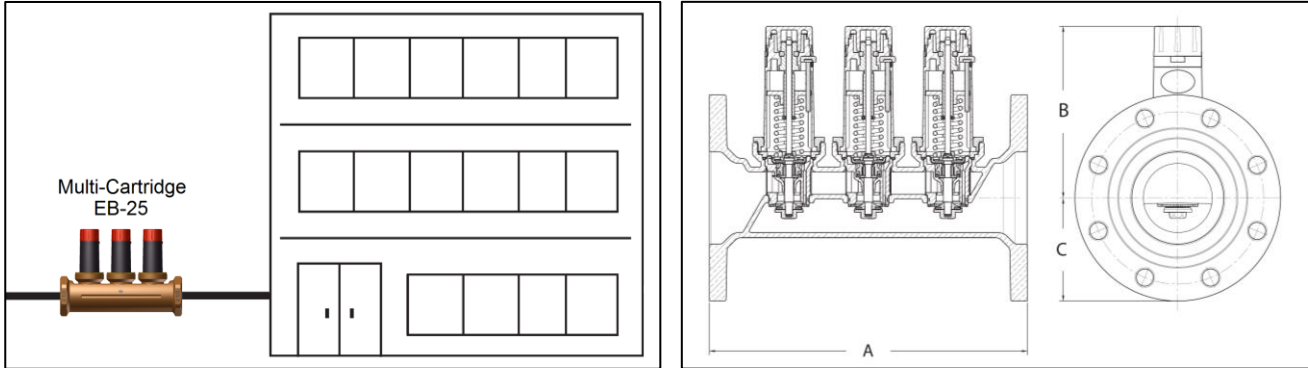
SPECIFICATION

A pressure regulator valve shall be installed to reduce high supplies of incoming water pressure. The valve shall be three cartridges with a pre-set numerical indicator and micro-fingers for noise dissipation. The valve shall be a **Cash Acme Multi-Cartridge EB-25 Pressure Regulator**.

Multi-Cartridge EB-25 Pressure Regulator

TYPICAL INSTALLATION

The Cash Acme Multi-Cartridge EB-25 Pressure Regulator comes supplied with a pre-adjusted pressure set at the factory. Any adjustment to this pressure is easily accomplished by lifting the orange adjustment cap and twisting. The orange adjustment cap can be rotated counter clockwise to decrease pressure and clockwise to increase the pressure. The changes in pressure setting will be visible on the numeric indicator. All pressure adjustments can be made before or after the installation with great ease. Cash Acme is always pleased to assist with valve selection or installation requirements.



SPECIFICATION DATA

Performance:

Outlet pressure range.....20-90 psi
 Maximum working pressure.....250 psi
 Maximum temperature..... 180 °F
 Service.....Water

Materials:

Body.....Lead-Free* Bronze
 Spring Chamber.....Nylon
 Spring.....Steel (zinc plated)
 Pressure Plate.....Steel (zinc plated)
 Diaphragm.....EPDM
 Body Seat.....Polysulphone
 Seat Disc.....EPDM
 Piston.....Stainless/lead-free* brass
 Strainer Screen.....Stainless steel

Dimensions	A	B	C
2-1/2" FIP	13.37"	7.50"	2.19"
2-1/2" Flanged	12.97"	7.50"	3.50"
4" Flanged	13.88"	7.50"	4.50"

AVAILABLE CONNECTIONS

Threaded (FIP).....2-1/2"
 ANSI CL 150 Flanged.....2-1/2" and 4"

Water Capacity (gpm)					
Size	P ₂ Variation	Differential Pressure (P ₁ -P ₂) PSI			
		10	20	50	100+
2-1/2"	5	3	5	7.5	16.6
	10	30.2	36.6	49.8	57.2
	15	83.6	89.7	107	135
	20	140.5	168.1	191.8	225.4
4"	5	6	9.5	20.6	33.9
	10	56.1	62.1	75.7	92.2
	15	114.8	142.4	162	170.9
	20	153.4	183.7	222.2	248.2

CERTIFICATIONS

The 2 1/2" Cash Acme EB-25 Multi-Cartridge Pressure Regulator is certified to CSA B356 standard and compliant with NSF 61 and NSF 372 standards. The 2 1/2" valve is listed with CSA. The 4" valve is out of scope of CSA B 356 (the standard covers valves up to 3" only); however, it is compliant with NSF 61 and NSF 372 standards.



*For lead free models, surfaces that are in contact with consumable water contain less than 0.25% lead by weight.