



Heatguard® 110-HX Series—Lead Free

DESCRIPTION

The **Heatguard® 110-HX** is a Temperature Actuated Mixing Valve that mixes hot water with cold to deliver hot water at a reduced temperature.

The **Heatguard® 110-HX** has an outlet temperature range extending to 176°F (80°C), making it ideal for applications in heating systems or in any installation requiring the delivery of reduced temperature hot water.

The **Heatguard® 110-HX** is a high quality mixing valve incorporating the latest in thermostatic technology. It features a robust design based on the expertise gained from years of experience in the design and manufacture of safety valves. Every valve is tested for performance on an automated testing station during the assembly process. The valve is third party listed.

The **Heatguard® 110-HX** incorporates a fast acting, high quality thermostatic element that senses the outlet water temperature and reacts to maintain a stable delivery water temperature even under changing flows or variations in supply temperatures.

The **Heatguard® 110-HX** is shipped complete as a kit with your choice of end connections in 1/2", 3/4" & 1" sizes. Available end connections are sweat or threaded. All valves are supplied standard with check valves at hot and cold water inlets.



HEATGUARD®
THERMOSTATIC MIXING VALVES

FEATURES AND BENEFITS

High flow rate design for lower pressure losses within the system:

More efficient system performance for lower running costs.

Every valve is tested prior to shipping:

Specify and install with confidence!

Robust, low complexity construction:

Superior reliability, improved user safety.

Integral union connections on all three ports:

Easy and quick to install and service.

Unique, purpose designed adjuster tool:

Minimizes unauthorized tampering with valve setting.

Listed by IAPMO and ASSE:

Inspector friendly, peace of mind!

SPECIFICATION

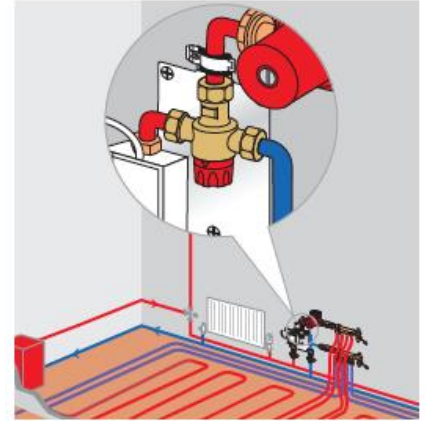
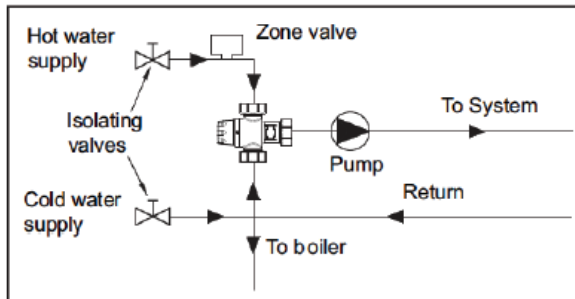
A Temperature Actuated Mixing Valve shall be installed in conjunction with the water heating source to distribute tempered water to the system. The valve shall be certified to ASSE 1017 and CSA B 125.3 standards and shall be listed by a third party. The Temperature Actuated Mixing Valve shall control the delivered water temperature via a regulating piston made from engineered polymer. The adjusting mechanism shall use a unique, purpose designed adjuster tool to minimize unauthorized tampering with valve setting. The valve shall be a Cash Acme **Heatguard® 110-HX LF**.



Heatguard® 110-HX Series—Lead Free

TYPICAL INSTALLATION

The **Heatguard® 110-HX** is a high performance Temperature Actuating Mixing Valve for use in heating systems.



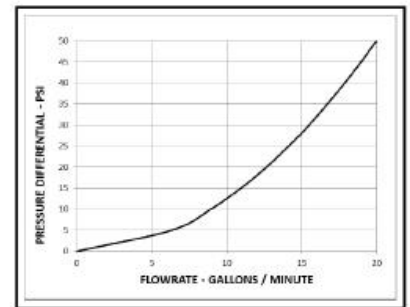
SPECIFICATION DATA

Performance:

Adj. outlet temperature range	85 – 176°F (29 – 80°C)
Factory set outlet temperature range	115 – 120°F (46 – 49°C)
Temp. hot supply	120 – 180°F (48.9 – 82.2°C)
Temp. cold supply	39 – 80°F (3.9 – 26.7°C)
Maximum pressure	230 psi (1600 kPa)
Flow rate, minimum	1 gpm (3.8 l/min)
Flow rate, maximum	20 gpm (76 l/min)

Materials:

Body	DZR Brass
Seals	EPDM
Springs	Stainless Steel
Internal cap	Brass
Piston	Engineered Polymer

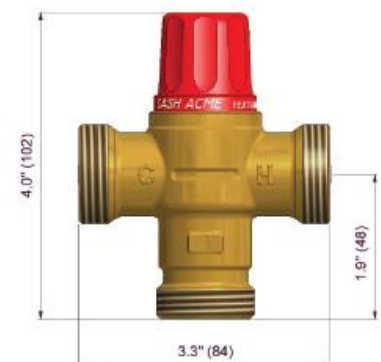


AVAILABLE CONNECTIONS

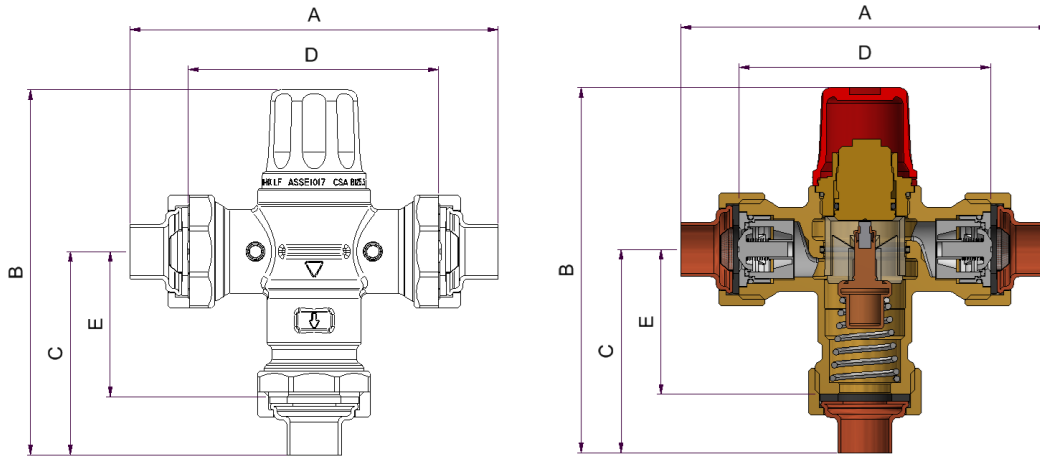
Sweat	1/2", 3/4" and 1"
Threaded (NPT)	1/2" and 3/4"

CERTIFICATIONS

The Cash Acme **Heatguard® 110-HX LF** is certified to ASSE 1017, CSA B125.3, NSF 372, NSF/ANSI 61 and listed by ASSE and IAPMO for use in accordance with U.S. and Canadian plumbing codes.



Heatguard® 110-HX Series—Lead Free



Type	Size	Description	Part	A		B		C		D		E	
				in	mm	in	mm	in	mm	in	mm	in	mm
Heatguard® 110-HX	½"	Sweat	24513	4.84	122.92	5.00	126.97	2.67	67.89	3.31	84.00	1.91	48.39
	¾"	Sweat	24514	5.23	132.72	5.18	131.69	2.87	72.79				
	1"	Sweat	24515	7.56	192.12	6.32	160.59	4.04	102.59				
	½"	Threaded NPT	24517	5.68	144.32	5.40	137.28	3.09	78.59				
	¾"	Threaded NPT	24518	6.19	157.32	5.65	143.57	3.35	85.09				

